



PROVEN PERFORMER

Vended Laundry

SWNSX2 (top loading washer, manual control)

SDESXR (electric heat dryer), SDGSXR (gas heat dryer)

Top loading washer features

- 710 rpm spin speed among the highest in the industry
- Curved four-vane agitator delivers an industry-best 210° stroke
- Exclusive stainless steel tub with a lifetime warranty helps protect against pulls, snags or frayed clothes
- Fast cycle times
- Commercial all metal transmission offers highest quality and durability
- Standard 7 slot coin slide, adjustable from 20¢ to \$14 per cycle

Dryer features

- Durable galvanized steel cylinder with an extra-large 198 litres of volume
- Efficient dryer heating with 27 MJ (gas models) and up to 4,000 Watts (electric models)
- Extended tumble helps eliminate wrinkling by tumbling for two minutes at 20 minute intervals if the dryer door is not opened decreasing fire risk
- Quiet, efficient blower system uses a superior airflow of 5100 litres per minute for fast efficient drying
- 1913.8 sq. cm door opening is the largest in the industry, providing easy loading and unloading for customers
- Reversible door



EASY OPERATION



STAINLESS STEEL WASHER DRUM



LARGE DOOR OPENING



LOW ENERGY CONSUMPTION



ROBUST DESIGN

Controls

Coin Slide

The Coin Slide control features a straightforward design that offers customers simple water temperature and fabric selections, using cue lights to monitor progress through the wash or drying cycle. This control is designed to function with any coin slide manufacturer's equipment.



SWNSX2

SDESXR SDGSXR

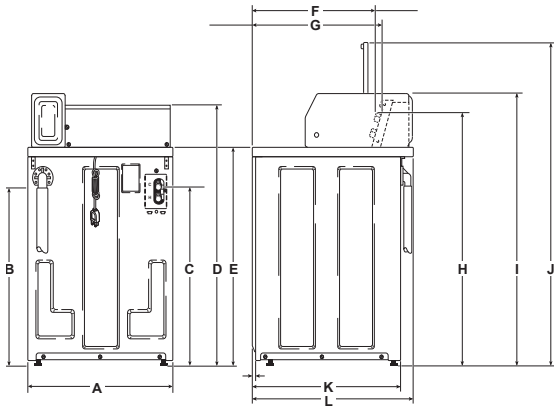
	SWNSX2	SDESXR (Electric) SDGSXR (Gas heat)
Type	Top Loading Washer	Single Dryer
Control	Selector	Selector
Control location	Rear	Rear
Drum		
Capacity kg	8 kg	9 kg
Cylinder volume litres	92.3 Lt	198 Lt
Drum speed		
Spin speed G-Force	150	n/a
Spin speed rpm	710	n/a
Motor		
Motor size kW	0.37	0.25
Cabinet		
Cylinder finish	Stainless steel	Galvanized
Colours	White	White
Door type (solid/window)	n/a	Solid
Heating		
Heat sources	n/a	Electric or Natural Gas, LPG optional
Heating element (Electric W)	n/a	4000
Connection		
Gas inlet connection mm	n/a	9.5mm
Gas consumption MJ/Hr	n/a	27 MJ
Exhaust outlet dia. mm	n/a	102mm
Exhaust airflow litres/sec	n/a	85
Water temperatures	3	n/a
Operation		
Cycles	6	Normal, Perm Press, Delicate, No Heat
Water consumption per cycle litres	93.0	n/a
Water pressure kPa	140/850 kPa	n/a
Cycle indicator lights	Yes	Yes
Power		
Electrical requirements (voltage/Hz/Ph)	240/50/1, 6 amp	240/50/1, Electric 20 amp, Gas 4 amp
Transport data		
Net weight kg	86	Electric/Gas 61/64
Shipping weight kg	95	Electric/Gas 66/68
Dimensions H×W×D mm	1092×650×711	1126×683×711
Packing dimensions H×W×D mm	1124×699×762	1156×737×832
Agency approvals		
Available agency approvals	SAA Electrical	SAA Electrical, AGA #4945 Gas



Dimensions

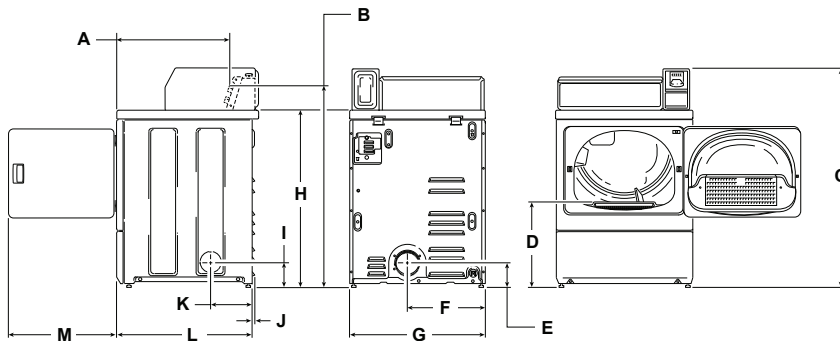
Top Loading Washer

	A	B	C	D	E	F	G	H	I	J	K	L
SWNSX2	651	745	730	1092	914	547	570	1025	1085	1295	660	711



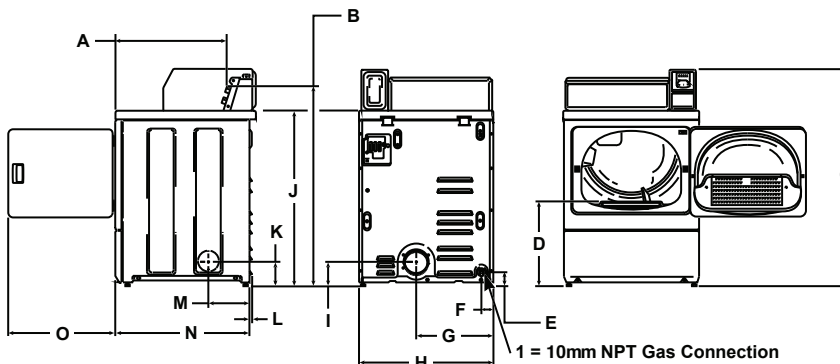
Electric Dryer

	A ¹	A ²	B ¹	B ²	C	D	E	F	G	H	I	J	K	L	M
SDESXR	548	560	1020*	970	1097*	392*	102*	391	683	914*	114*	10	203	711	597



Gas Dryer

	A ¹	A ²	B ¹	B ²	C	D	E	F	G	H	I	J	K	L	M	N	O
SDGSXR	548	560	1020*	970	1097*	392*	70*	60	391	683	102*	914*	114*	10	203	711	597



NOTE: Gas models cannot be vented out left side of cabinet because of burner housing.

IMPORTANT: The dryer should have sufficient clearance around it for needed ventilations and for the ease of installation and servicing. For maximum drying performance, we recommend that more clearance be allowed around the dryer than the clearances that are listed here.

All measurements are in mm. *With levelling legs turned into base. ¹Coin Slide models. ²Electronic Control models.

NOTE: Exhaust openings are 102 mm metal ducting.



SPEED QUEEN. WORLD NO.1 IN COMMERCIAL LAUNDRY

